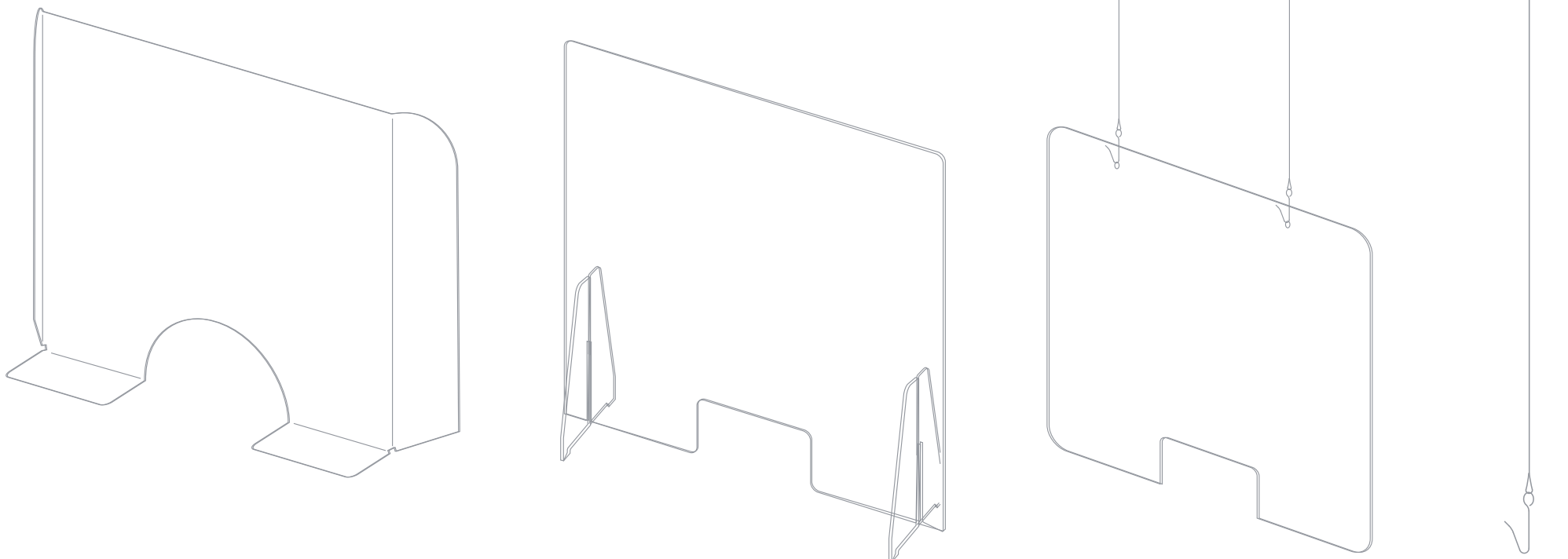


SAFETY CLEAR WALL
Employee Protection Systems

Our Protection Systems offer your employees excellent safety protection when they get in contact with clients. They are available in a wide range of formats, adapted to the customer needs.

We create different systems from acrylic glass, polycarbonate or PET, or PETG with transparent materials that are easy to assemble and clean.

EASY, FAST & EFFECTIVE PROTECTION!



AVAILABLE IN:

INOX

PLEXI



Screen Systems



Screen Systems

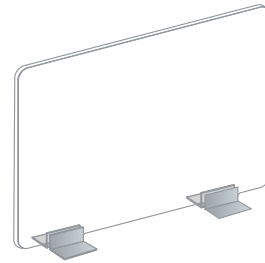


Screen Systems

AVAILABLE IN:

INOX

PLEXI



Screen Systems

Free Standing "IOTA" Models

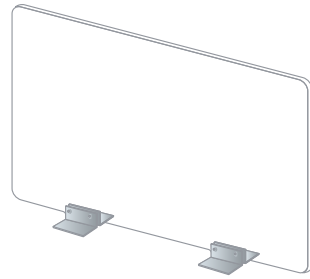


SPECS

L: 98 cm H: 58 cm

REFERENCE

AG21398-INOX
AG21398



SPECS

L: 99 cm H: 66 cm

REFERENCE

AG21399-INOX
AG21399

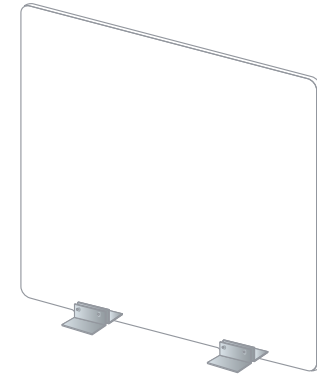


SPECS

L: 66 cm H: 99 cm

REFERENCE

AG621427-INOX
AG621427



SPECS

L: 99 cm H: 99 cm

REFERENCE

AG21400-INOX
AG21400

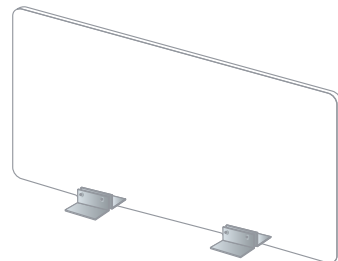


SPECS

L: 78 cm H: 60 cm

REFERENCE

AG21410-INOX
AG21410



SPECS

L: 108 cm H: 58 cm

REFERENCE

AG21425-INOX
AG21425

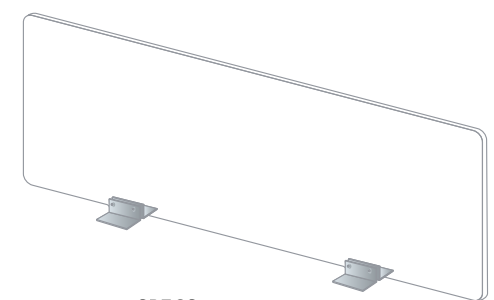


SPECS

L: 118 cm H: 58 cm

REFERENCE

AG21390-INOX
AG21390

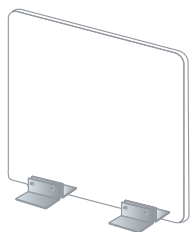


SPECS

L: 158 cm H: 58 cm

REFERENCE

AG21392-INOX
AG21392

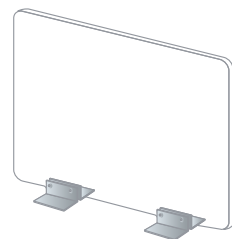


SPECS

L: 58 cm H: 58 cm

REFERENCE

AG21395-INOX
AG21395

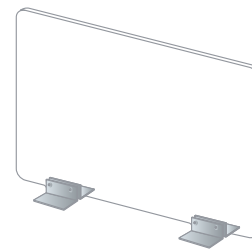


SPECS

L: 68 cm H: 58 cm

REFERENCE

AG21396-INOX
AG21396

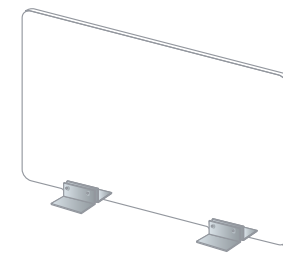


SPECS

L: 78 cm H: 58 cm

REFERENCE

AG21389-INOX
AG21389



SPECS

L: 88 cm H: 58 cm

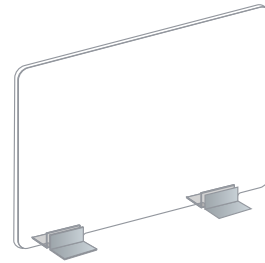
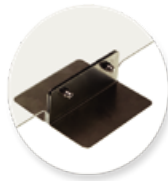
REFERENCE

AG21397-INOX
AG21397

AVAILABLE IN:

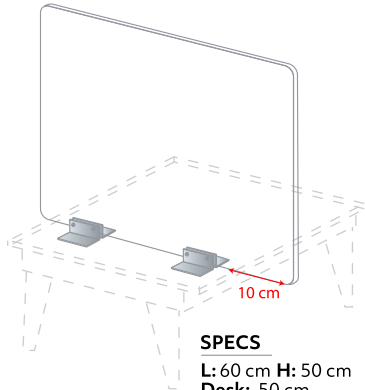
INOX

PLEXI



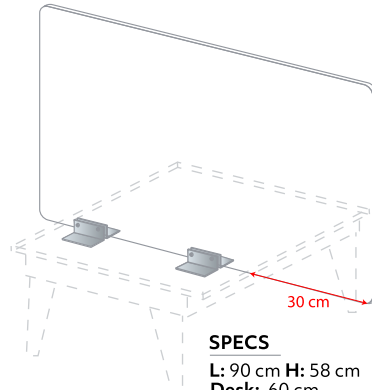
Screen Systems

Free Standing "IOTA" Models



SPECS
L: 60 cm H: 50 cm
Desk: 50 cm

REFERENCE
AG21428-INOX
AG21428



SPECS
L: 90 cm H: 58 cm
Desk: 60 cm

REFERENCE
AG21429-INOX
AG21429



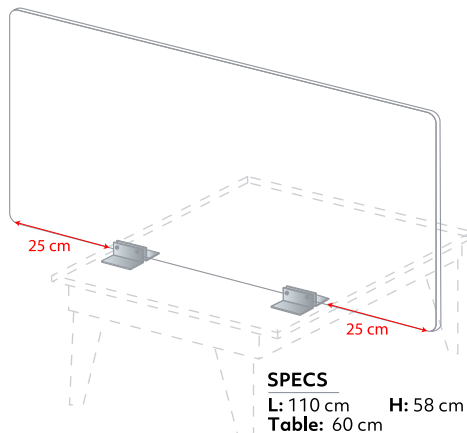
SPECS
L: 100 cm H: 58 cm
Desk: 70 cm

REFERENCE
AG21430-INOX
AG21430



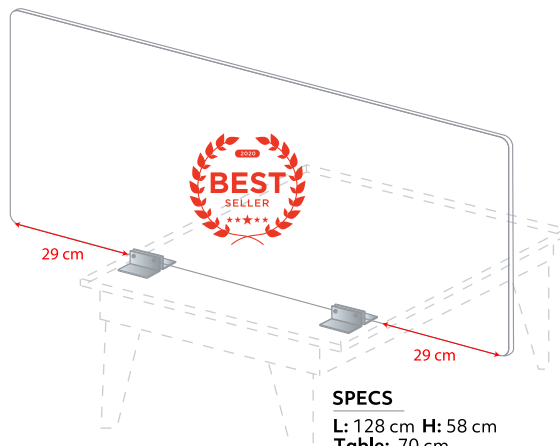
SPECS
L: 110 cm H: 58 cm
Desk: 80 cm

REFERENCE
AG21431-INOX
AG21431



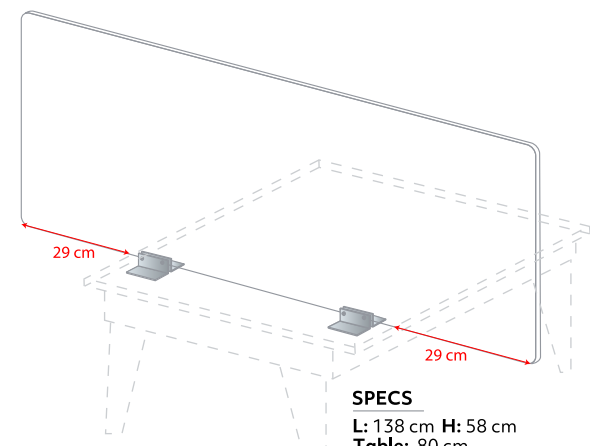
SPECS
L: 110 cm H: 58 cm
Table: 60 cm

REFERENCE
AG21434-INOX
AG21434



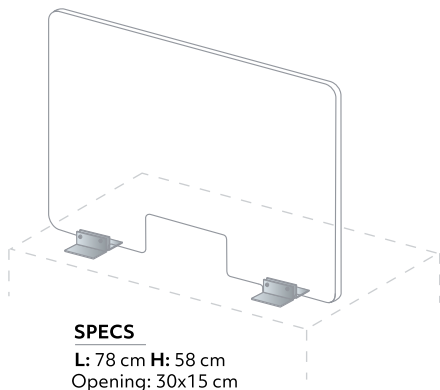
SPECS
L: 128 cm H: 58 cm
Table: 70 cm

REFERENCE
AG21426-INOX
AG21426



SPECS
L: 138 cm H: 58 cm
Table: 80 cm

REFERENCE
AG21391-INOX
AG21391



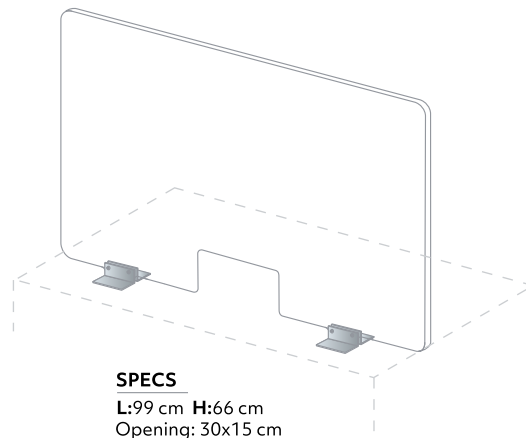
SPECS
L: 78 cm H: 58 cm
Opening: 30x15 cm

REFERENCE
AG21389-INOX-C15
AG21389-C15



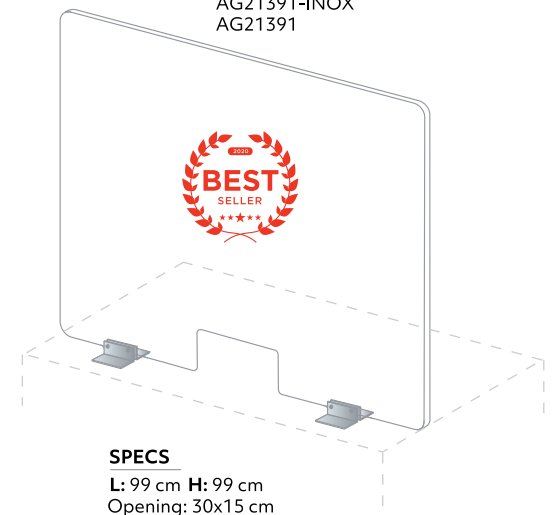
SPECS
L: 75 cm H: 60 cm
Opening: 30x15 cm

REFERENCE
AG21410-INOX-C15
AG21410-C15



SPECS
L: 99 cm H: 66 cm
Opening: 30x15 cm

REFERENCE
AG21399-INOX-C15
AG21399-C15

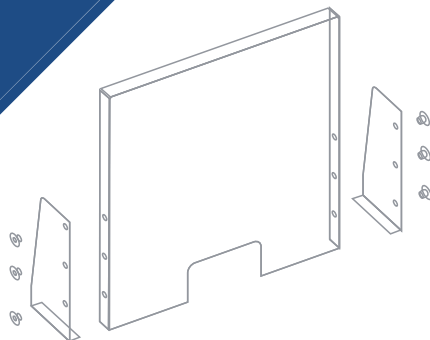


SPECS
L: 99 cm H: 99 cm
Opening: 30x15 cm

REFERENCE
AG21400-INOX-C15
AG21400-C15

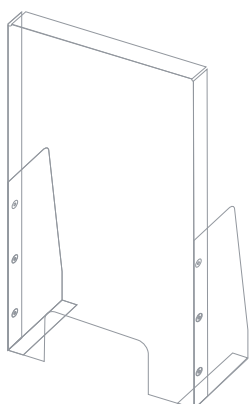


ECO PET Models



Removable Foot Screen

ECO PET Models



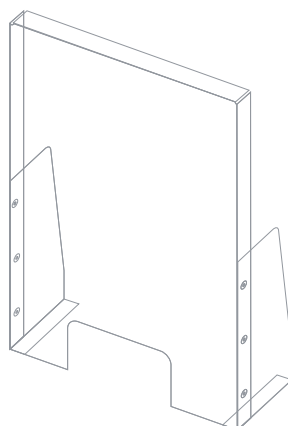
SPECS
L:55 cm H: 95 cm
Opening: 30x15 cm

REFERENCE
AG21374PET



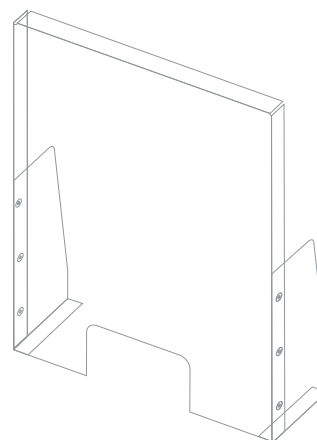
SPECS
L:58 cm H: 95 cm
Opening: 30x15 cm

REFERENCE
AG21368PET



SPECS
L:68 cm H: 95 cm
Opening: 30x15 cm

REFERENCE
AG21355PET



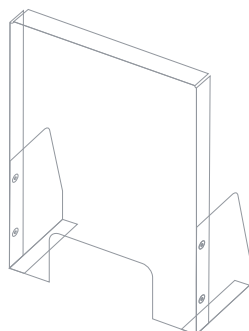
SPECS
L:75 cm H: 95 cm
Opening: 30x15 cm

REFERENCE
AG21372PET



SPECS
L:94 cm H: 95 cm
Opening: 30x15 cm

REFERENCE
AG21356PET



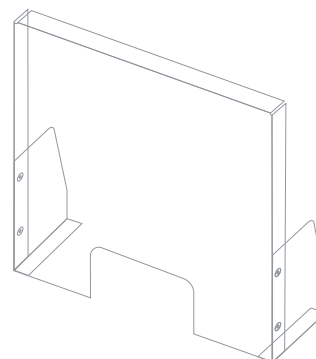
SPECS
L:55 cm H: 60 cm
Opening: 30x15 cm

REFERENCE
AG21370PET



SPECS
L:68 cm H: 60 cm
Opening: 30x15 cm

REFERENCE
AG21357PET



SPECS
L:75 cm H: 60 cm
Opening: 30x15 cm

REFERENCE
AG21375PET

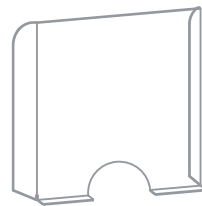


SPECS
L:95 cm H: 58 cm
Opening: 30x15 cm

REFERENCE
AG21377PET

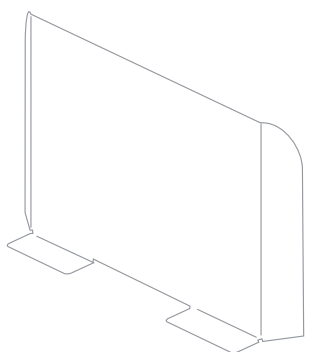


Counter Systems



Counter Systems

H60 Models



SPECS

L:68 cm H: 60 cm
Opening: 30x1 cm

REFERENCE

AG21309
AG21309PET

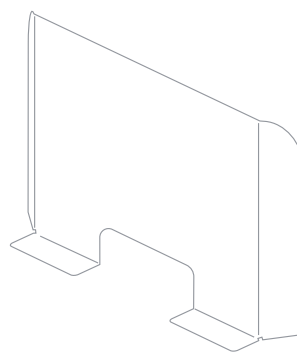


SPECS

L:68 cm H: 60 cm
Opening: 30x5 cm

REFERENCE

AG21310
AG21310PET

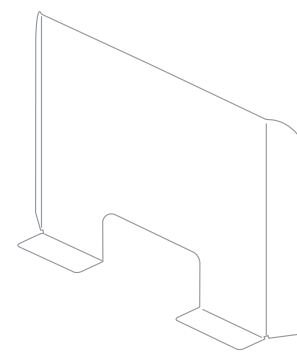


SPECS

L:68 cm H: 60 cm
Opening: 30x10 cm

REFERENCE

AG21315
AG21315PET

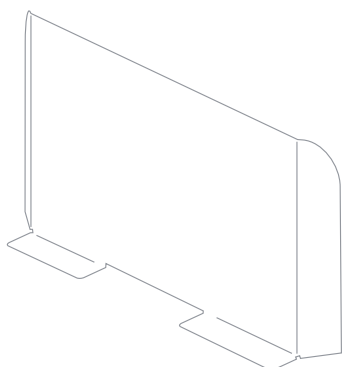


SPECS

L:68 cm H: 60 cm
Opening: 30x15 cm

REFERENCE

AG21317
AG21317PET

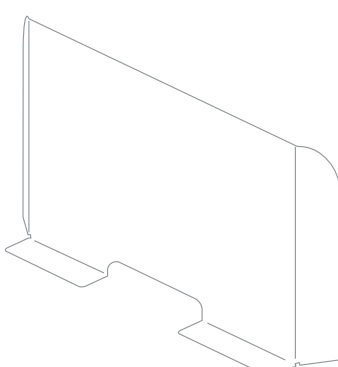


SPECS

L:80 cm H: 60 cm
Opening: 30x1 cm

REFERENCE

AG21338
AG21338PET

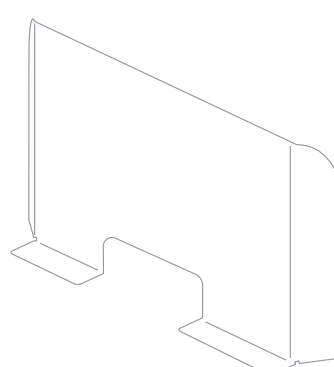


SPECS

L:80 cm H: 60 cm
Opening: 30x5 cm

REFERENCE

AG21339
AG21309PET

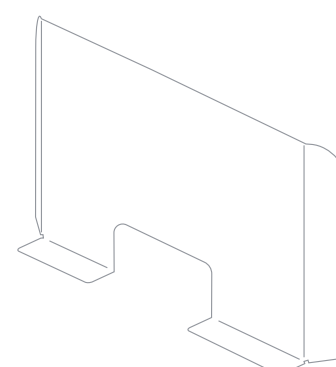


SPECS

L:80 cm H: 60 cm
Opening: 30x10 cm

REFERENCE

AG21340
AG21340PET

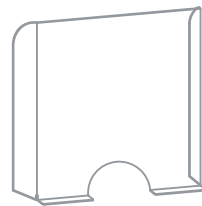


SPECS

L:80 cm H: 60 cm
Opening: 30x15 cm

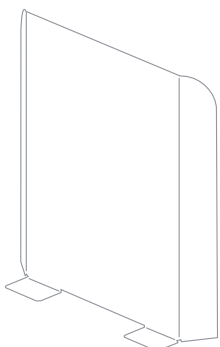
REFERENCE

AG21341
AG21341PET



Counter Systems

H95 Models

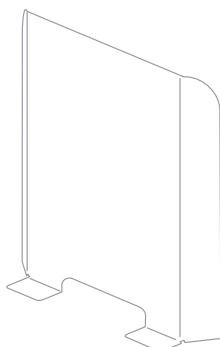


SPECS

L:55 cm H: 95cm
Opening: 30x1 cm

REFERENCE

AG21328
AG21328PET

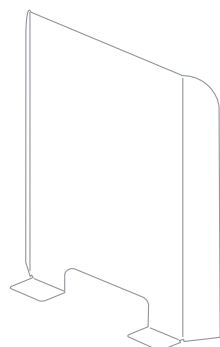


SPECS

L:55 cm H: 95cm
Opening: 30x5 cm

REFERENCE

AG21329
AG21329PET

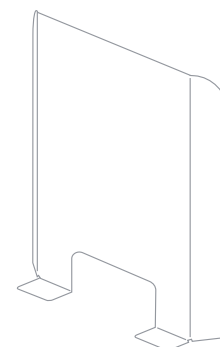


SPECS

L:55 cm H: 95cm
Opening: 30x10 cm

REFERENCE

AG21330
AG21330PET

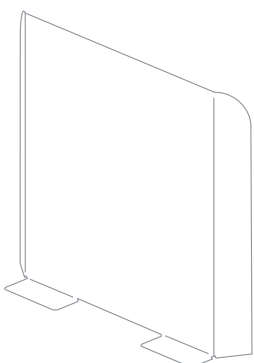


SPECS

L:55 cm H: 95cm
Opening: 30x15 cm

REFERENCE

AG21331
AG21331PET

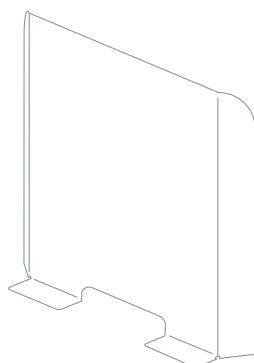


SPECS

L:68 cm H: 95cm
Opening: 30x1 cm

REFERENCE

AG21312
AG21312PET

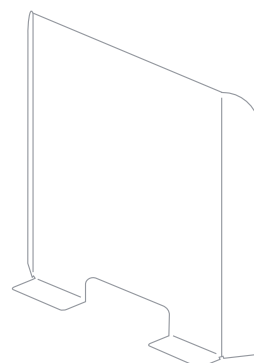


SPECS

L:68 cm H: 95cm
Opening: 30x5 cm

REFERENCE

AG21313
AG21313PET



SPECS

L:68 cm H: 95cm
Opening: 30x10 cm

REFERENCE

AG21316
AG21316PET



SPECS

L:68 cm H: 95cm
Opening: 30x15 cm

REFERENCE

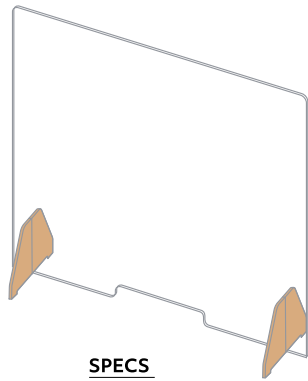
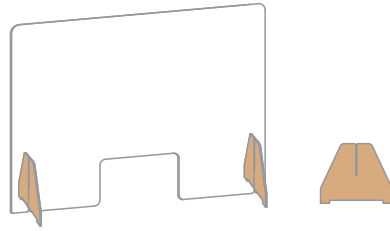
AG21318
AG21318PET



Stand Systems

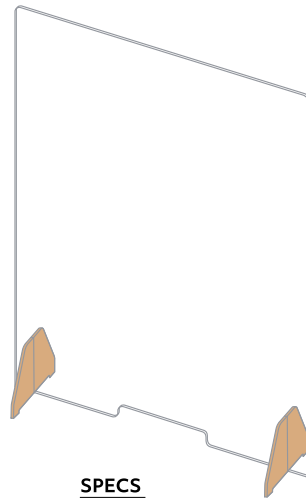
Stand Systems

Wooden Feet Models



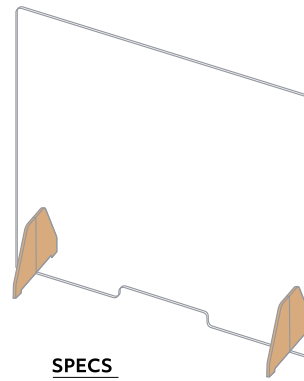
SPECS
L:50 cm H: 66 cm
Opening: 30x1 cm

REFERENCE
AG21416BOIS



SPECS
L:50 cm H: 90 cm
Opening: 30x1 cm

REFERENCE
AG21419BOIS



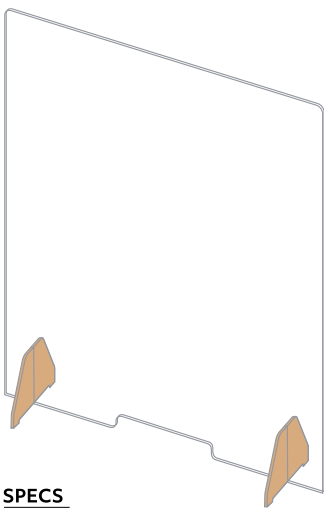
SPECS
L:66 cm H: 66 cm
Opening: 30x1 cm

REFERENCE
AG21417BOIS



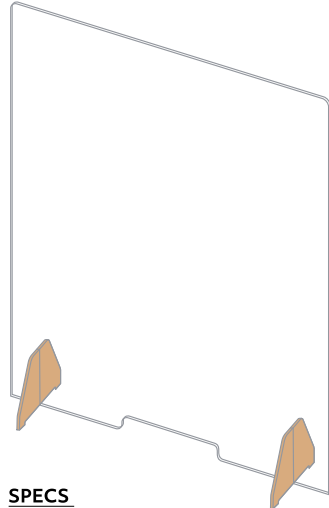
SPECS
L:60 cm H: 99 cm
Opening: 30x1 cm

REFERENCE
AG21422BOIS



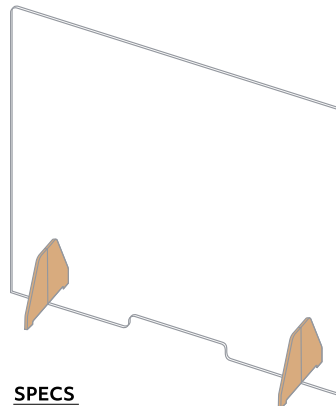
SPECS
L:66 cm H: 90 cm
Opening: 30x1 cm

REFERENCE
AG21420BOIS



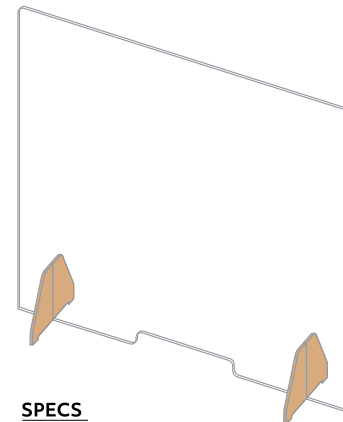
SPECS
L:66 cm H: 99 cm
Opening: 30x1 cm

REFERENCE
AG21423BOIS



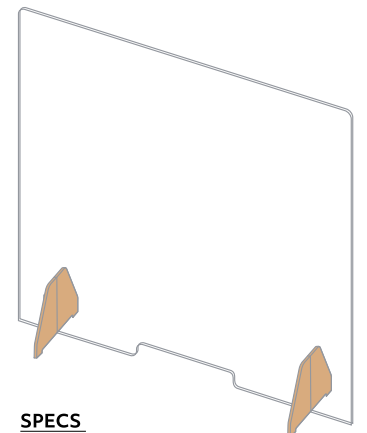
SPECS
L:99 cm H: 66 cm
Opening: 30x1 cm

REFERENCE
AG21418BOIS



SPECS
L:99 cm H: 90 cm
Opening: 30x1 cm

REFERENCE
AG21421BOIS

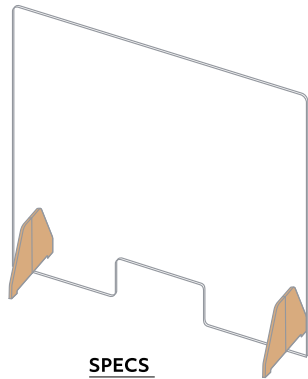
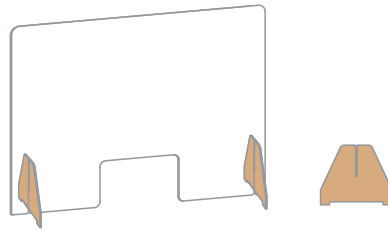


SPECS
L:99 cm H: 99 cm
Opening: 30x1 cm

REFERENCE
AG21424BOIS

Stand Systems

Wooden Feet Models



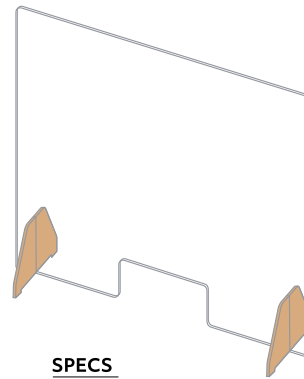
SPECS
L:50 cm H: 66 cm
Opening: 30x15 cm

REFERENCE
AG21416BOIS-C15



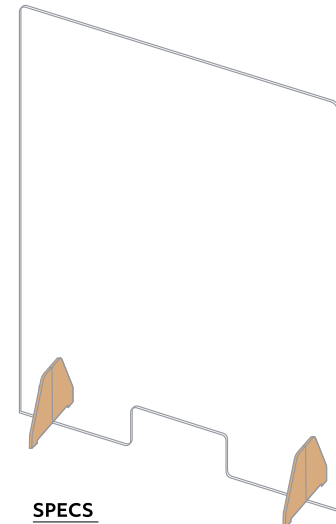
SPECS
L:50 cm H: 90 cm
Opening: 30x15 cm

REFERENCE
AG21419BOIS-C15



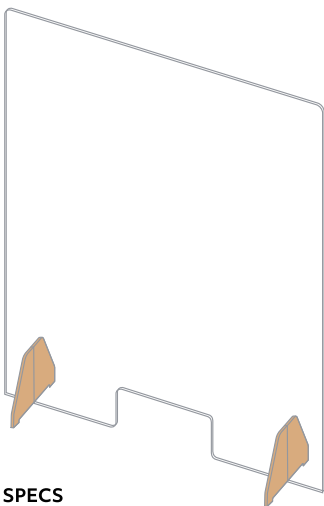
SPECS
L:66 cm H: 66 cm
Opening: 30x15cm

REFERENCE
AG21417BOIS-C15



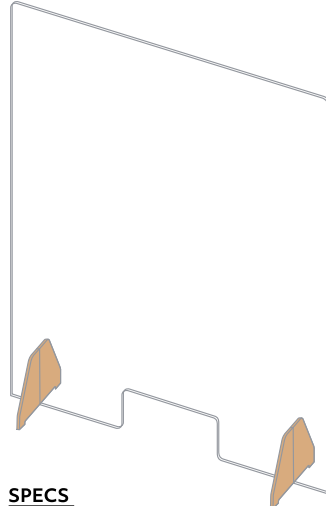
SPECS
L:60 cm H: 99 cm
Opening: 30x15 cm

REFERENCE
AG21422BOIS-C15



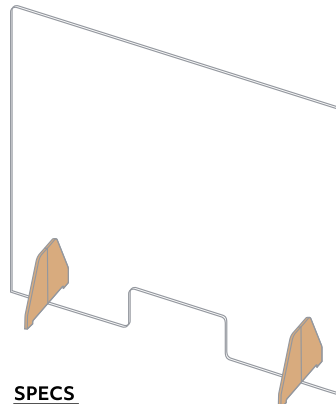
SPECS
L:66 cm H: 90 cm
Opening: 30x15 cm

REFERENCE
AG21420BOIS-C15



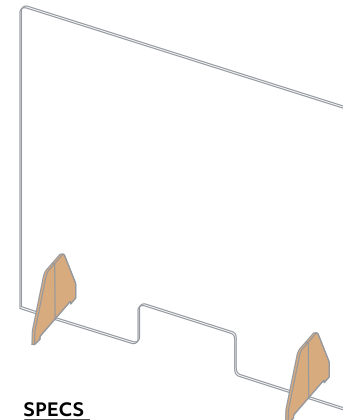
SPECS
L:66 cm H: 99 cm
Opening: 30x15 cm

REFERENCE
AG21423BOIS-C15



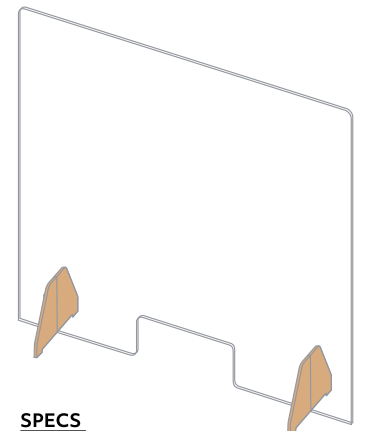
SPECS
L:99 cm H: 66 cm
Opening: 30x15 cm

REFERENCE
AG21418BOIS-C15



SPECS
L:99 cm H: 90 cm
Opening: 30x15 cm

REFERENCE
AG21421BOIS-C15



SPECS
L:99 cm H: 99 cm
Opening: 30x15 cm

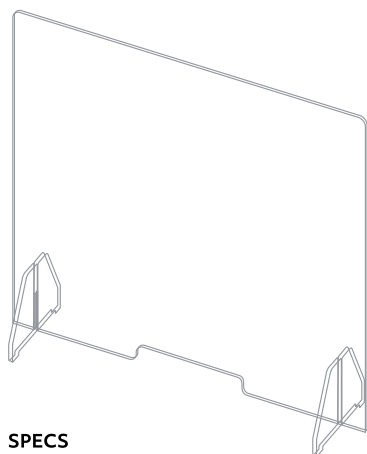
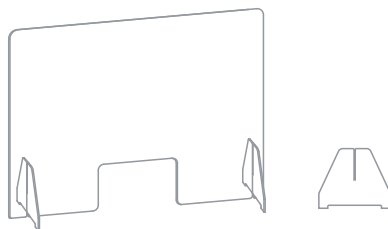
REFERENCE
AG21424BOIS-C15



Stand Systems

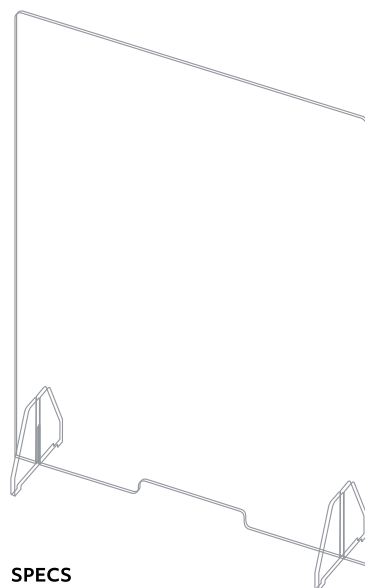
Stand Systems

PET Feet Models



SPECS
L:50 cm H: 66 cm
Opening: 30x1 cm

REFERENCE
AG21416PET



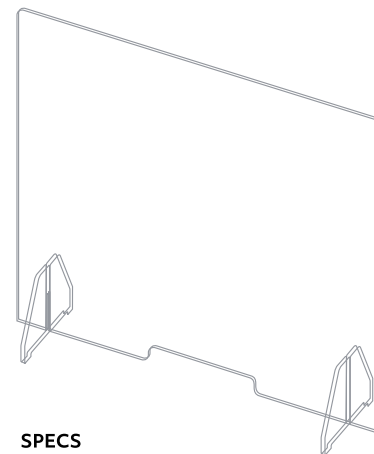
SPECS
L:50 cm H: 90 cm
Opening: 30x1 cm

REFERENCE
AG21419PET



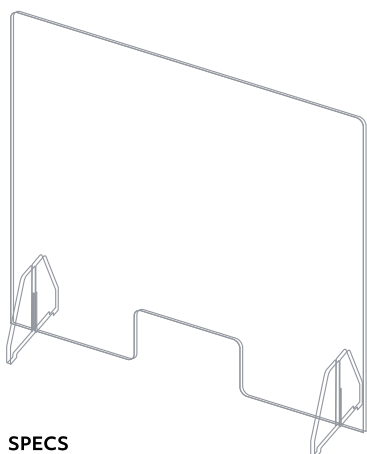
SPECS
L:66 cm H: 66 cm
Opening: 30x1 cm

REFERENCE
AG21417PET



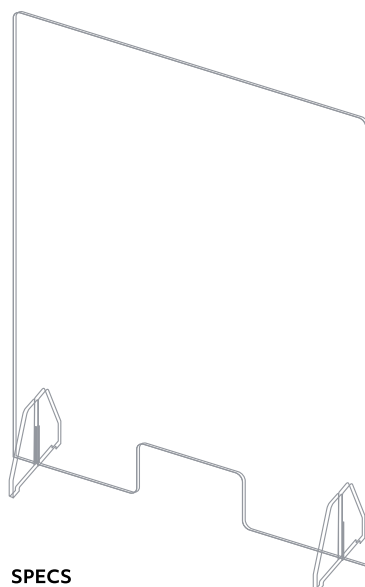
SPECS
L:99 cm H: 90 cm
Opening: 30x1 cm

REFERENCE
AG21421PET



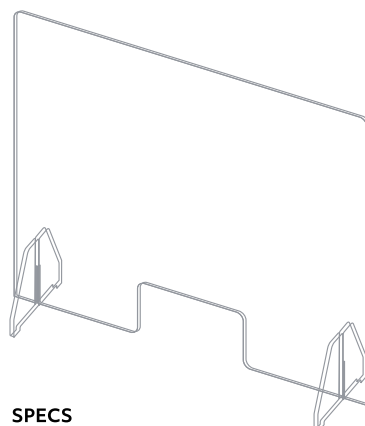
SPECS
L:50 cm H: 66 cm
Opening: 30x15 cm

REFERENCE
AG21416PET-C15



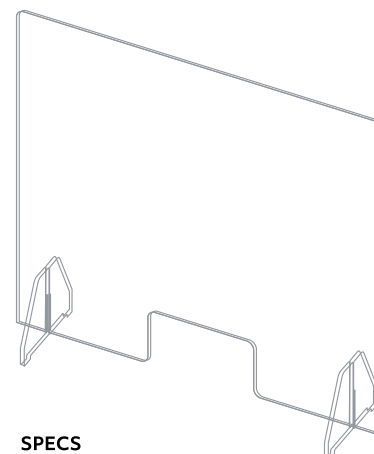
SPECS
L:50 cm H: 90 cm
Opening: 30x15 cm

REFERENCE
AG21419PET-C15



SPECS
L:66 cm H: 66 cm
Opening: 30x15 cm

REFERENCE
AG21417PET-C15



SPECS
L:99 cm H: 90 cm
Opening: 30x15 cm

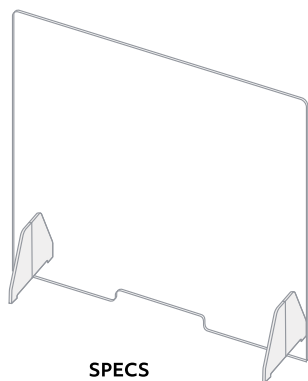
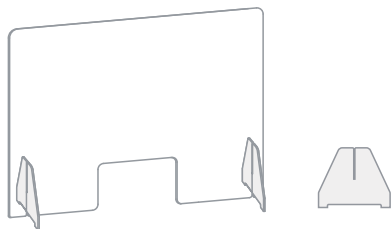
REFERENCE
AG21421PET-C15



Stand Systems

Stand Systems

PVC Feet Models



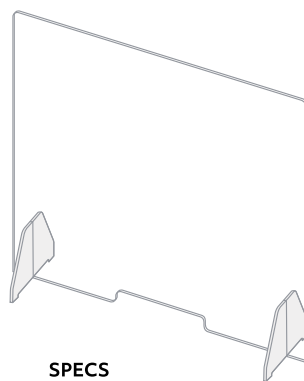
SPECS
L:50 cm H: 66 cm
Opening: 30x1 cm

REFERENCE
AG21416BLANC



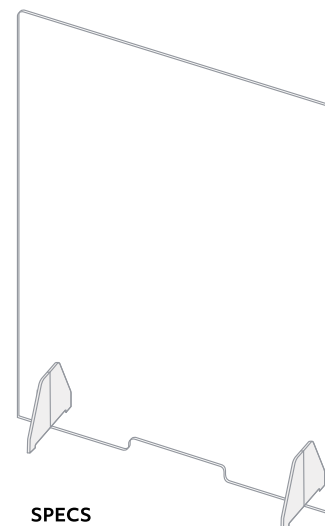
SPECS
L:50 cm H: 90 cm
Opening: 30x1 cm

REFERENCE
AG21419BLANC



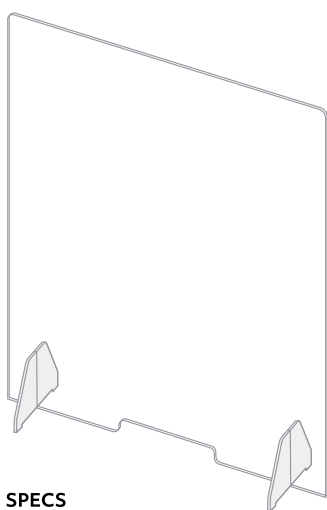
SPECS
L:66 cm H: 66 cm
Opening: 30x1 cm

REFERENCE
AG21417BLANC



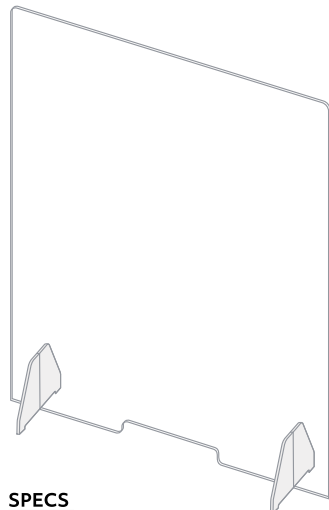
SPECS
L:60 cm H: 99 cm
Opening: 30x1 cm

REFERENCE
AG21422BLANC



SPECS
L:66 cm H: 90 cm
Opening: 30x1 cm

REFERENCE
AG21420BLANC



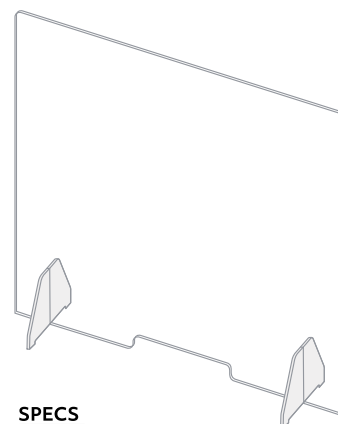
SPECS
L:66 cm H: 99 cm
Opening: 30x1 cm

REFERENCE
AG21423BLANC



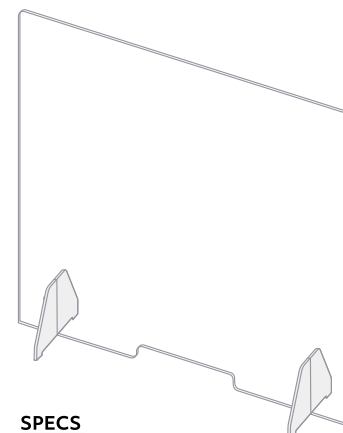
SPECS
L:99 cm H: 66 cm
Opening: 30x1 cm

REFERENCE
AG21418BLANC



SPECS
L:99 cm H: 90 cm
Opening: 30x1 cm

REFERENCE
AG21421BLANC

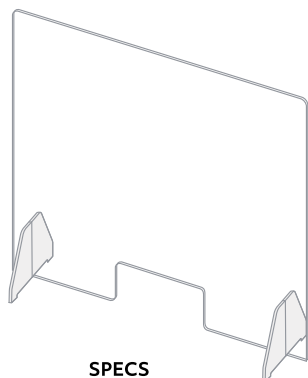
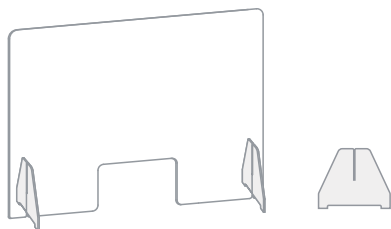


SPECS
L:99 cm H: 99 cm
Opening: 30x1 cm

REFERENCE
AG21424BLANC

Stand Systems

PVC Feet Models



SPECS

L:50 cm H: 66 cm
Opening: 30x15 cm

REFERENCE

AG21416BLANC-C15

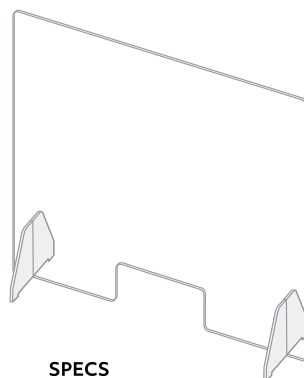


SPECS

L:50 cm H: 90 cm
Opening: 30x15 cm

REFERENCE

AG21419BLANC-C15

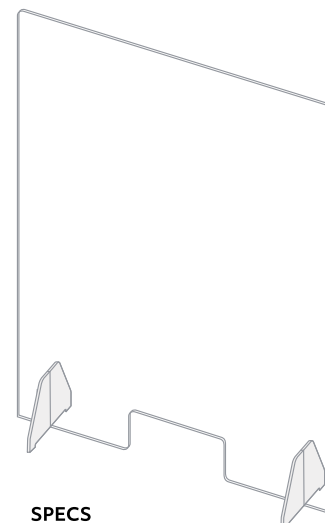


SPECS

L:66 cm H: 66 cm
Opening: 30x15 cm

REFERENCE

AG21417BLANC-C15

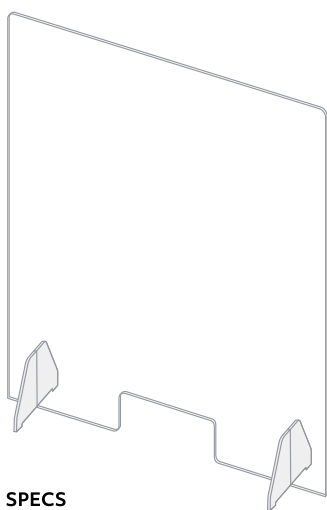


SPECS

L:60 cm H: 99 cm
Opening: 30x15 cm

REFERENCE

AG21422BLANC-C15

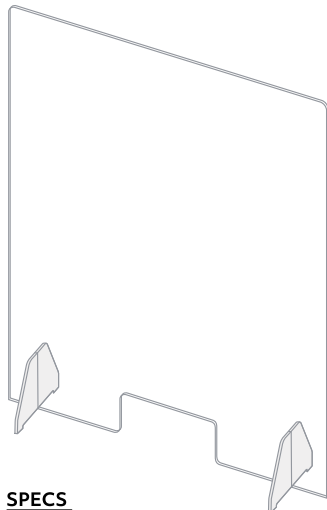


SPECS

L:66 cm H: 90 cm
Opening: 30x15 cm

REFERENCE

AG21420BLANC-C15

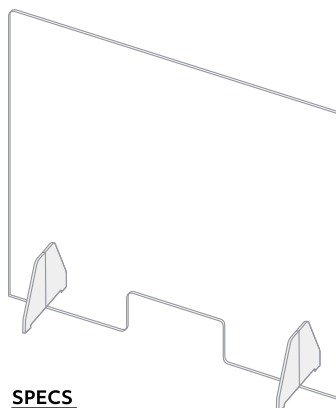


SPECS

L:66 cm H: 99 cm
Opening: 30x15 cm

REFERENCE

AG21423BLANC-C15

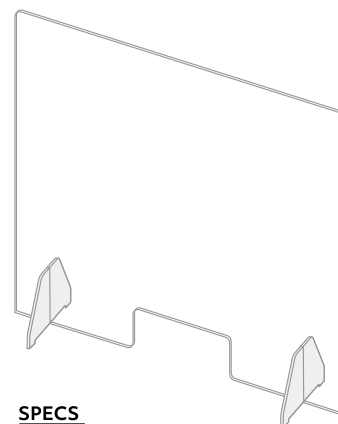


SPECS

L:99 cm H: 66 cm
Opening: 30x15 cm

REFERENCE

AG21418BLANC-C15

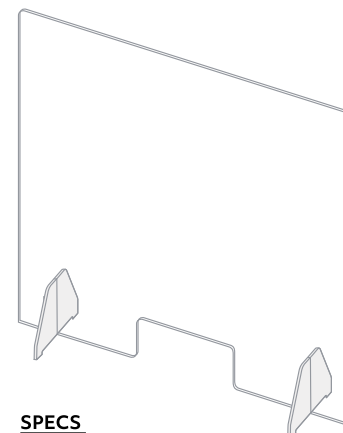


SPECS

L:99 cm H: 90 cm
Opening: 30x15 cm

REFERENCE

AG21421BLANC-C15



SPECS

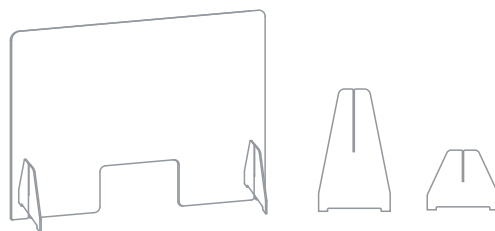
L:99 cm H: 99 cm
Opening: 30x15 cm

REFERENCE

AG21424BLANC-C15

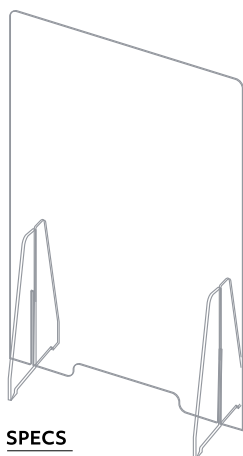


Stand Systems



Stand Systems

Modular Models



SPECS

L:66 cm H: 99cm
Opening: 30x1 cm

REFERENCE

AG21324

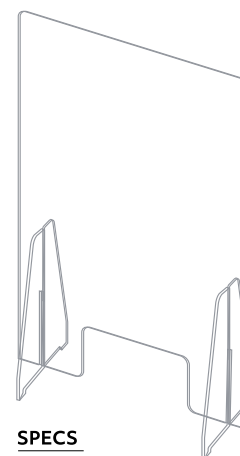


SPECS

L:66 cm H: 99cm
Opening: 30x5 cm

REFERENCE

AG21324-C5

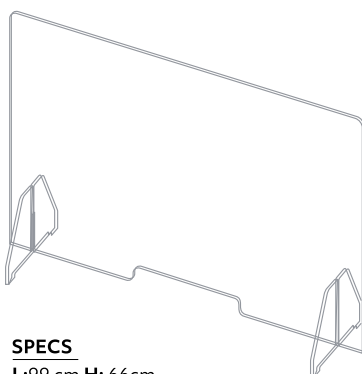


SPECS

L:66 cm H: 99cm
Opening: 30x15 cm

REFERENCE

AG21324-C15

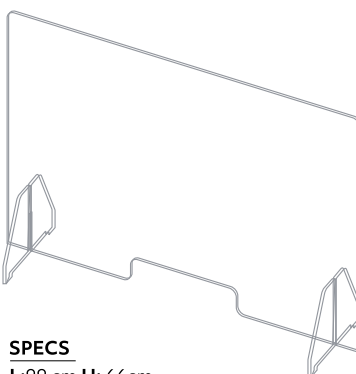


SPECS

L:99 cm H: 66cm
Opening: 30x1 cm

REFERENCE

AG21325

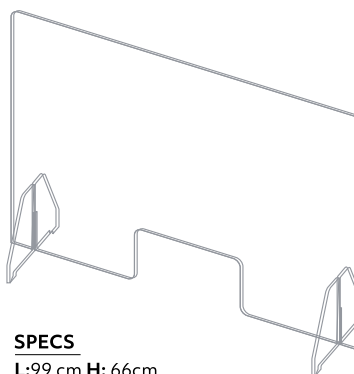


SPECS

L:99 cm H: 66cm
Opening: 30x5 cm

REFERENCE

AG21325-C5



SPECS

L:99 cm H: 66cm
Opening: 30x15 cm

REFERENCE

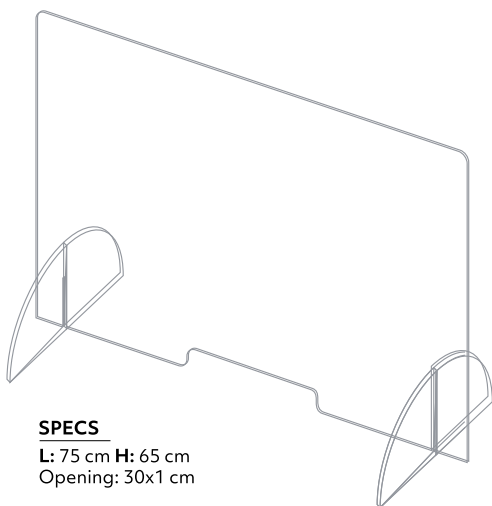
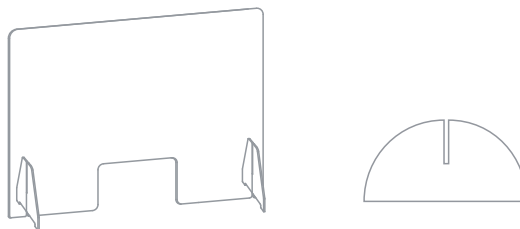
AG21325-C15



Stand Systems

Stand Systems

Modular Models

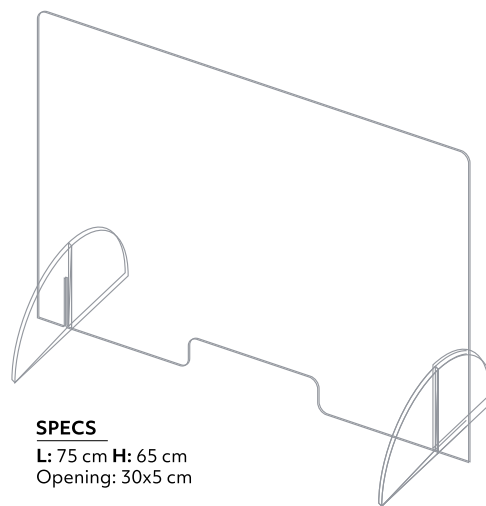


SPECS

L: 75 cm H: 65 cm
Opening: 30x1 cm

REFERENCE

AG21326



SPECS

L: 75 cm H: 65 cm
Opening: 30x5 cm

REFERENCE

AG21326-C5

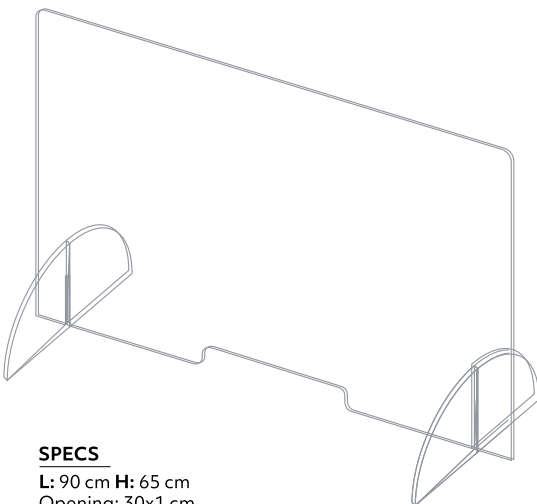


SPECS

L: 75 cm H: 65 cm
Opening: 30x15 cm

REFERENCE

AG21326-C15

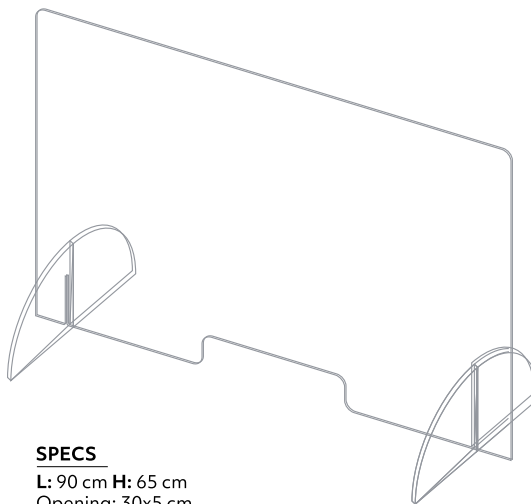


SPECS

L: 90 cm H: 65 cm
Opening: 30x1 cm

REFERENCE

AG21353

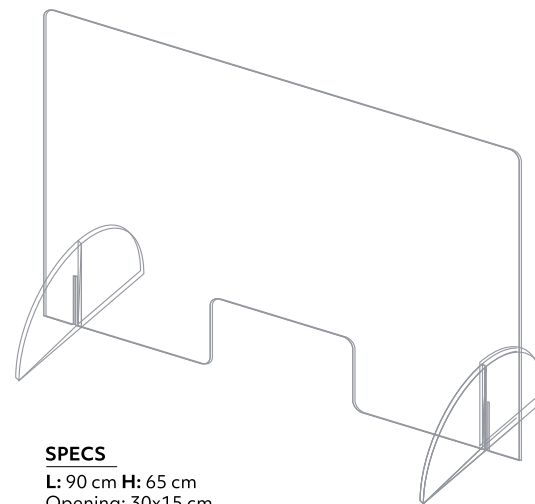


SPECS

L: 90 cm H: 65 cm
Opening: 30x5 cm

REFERENCE

AG21353-C5



SPECS

L: 90 cm H: 65 cm
Opening: 30x15 cm

REFERENCE

AG21353-C5



Ceiling Systems

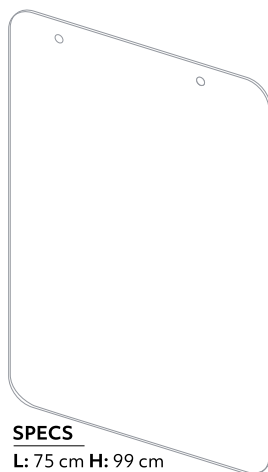
Suspended Fastening System Kit

SPECS

- 2m Steel Cable
- Allen Hex Socket Type
- Product Support Hook

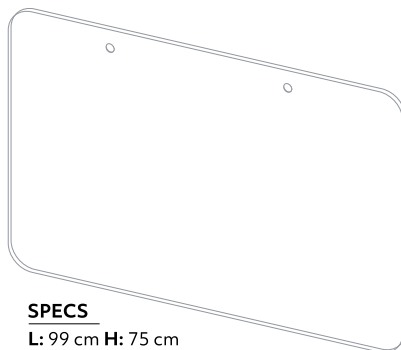
NOTE

- The Suspended Fastening System Kit is available for KIT References Only



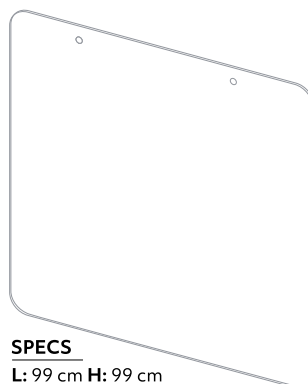
SPECS
L: 75 cm H: 99 cm

REFERENCE
AG21323
AG21323-KIT



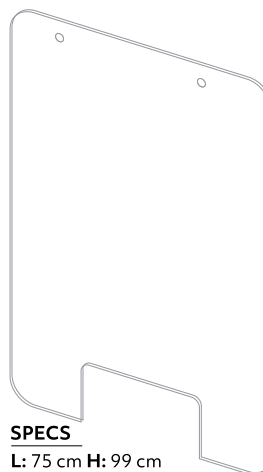
SPECS
L: 99 cm H: 75 cm

REFERENCE
AG21354
AG21354-KIT



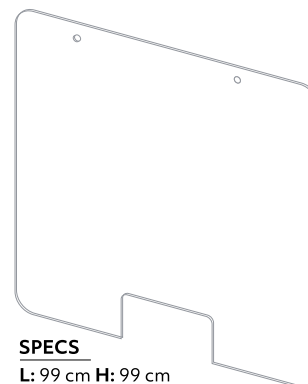
SPECS
L: 99 cm H: 99 cm

REFERENCE
AG21322
AG21322-KIT



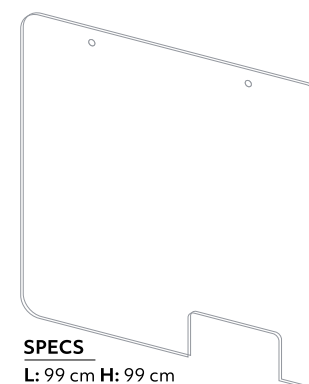
SPECS
L: 75 cm H: 99 cm
Opening: 30x15 cm

REFERENCE
AG21323-CENTR.15
AG21323-KIT-CENTR.15



SPECS
L: 99 cm H: 99 cm
Opening: 30x15 cm

REFERENCE
AG21322-CENTR.15
AG21322-KIT-CENTR.15



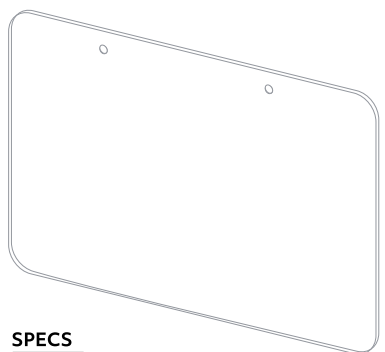
SPECS
L: 99 cm H: 99 cm
Opening: 30x15 cm

REFERENCE
AG21322-DROITE15
AG21322-KIT-DROITE15



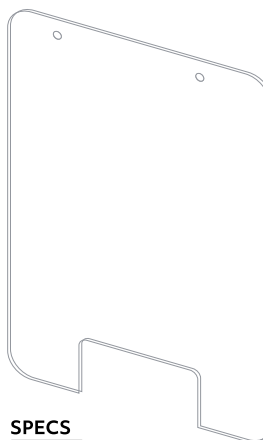
SPECS
L: 66 cm H: 99 cm

REFERENCE
AG21319
AG21319-KIT



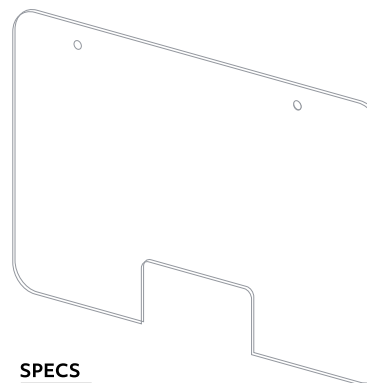
SPECS
L: 99 cm H: 66 cm

REFERENCE
AG21321
AG21321-KIT



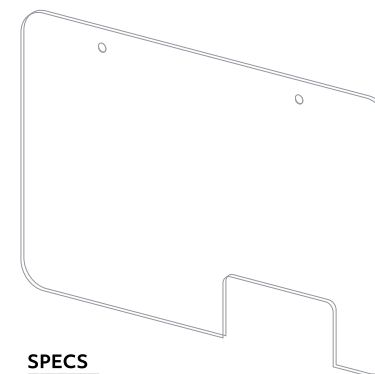
SPECS
L: 66 cm H: 99 cm
Opening: 30x15 cm

REFERENCE
AG21319-CENTR.15
AG21319-KIT-CENTR.15



SPECS
L: 99 cm H: 66 cm
Opening: 30x15 cm

REFERENCE
AG21321-CENTR.15
AG21321-KIT-CENTR.15

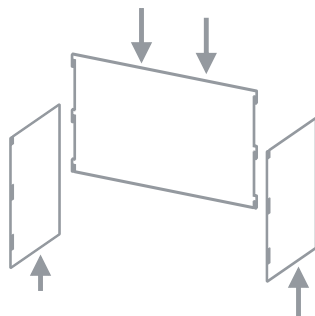


SPECS
L: 99 cm H: 66 cm
Opening: 30x15 cm

REFERENCE
AG21321-DROITE15
AG21321--KIT-DROITE15

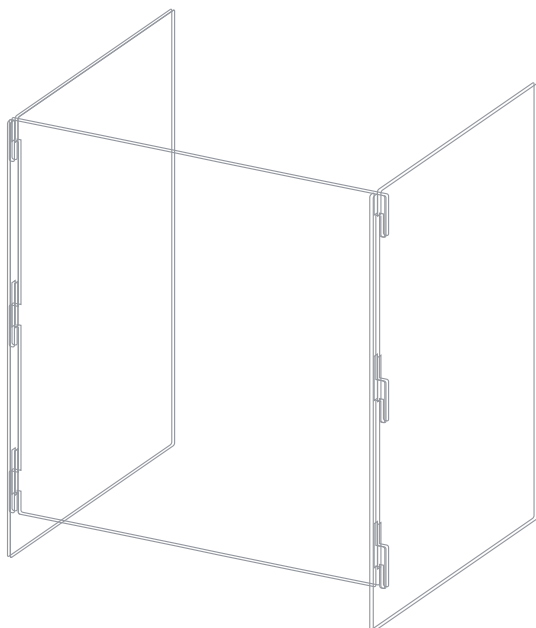


Detachable Systems



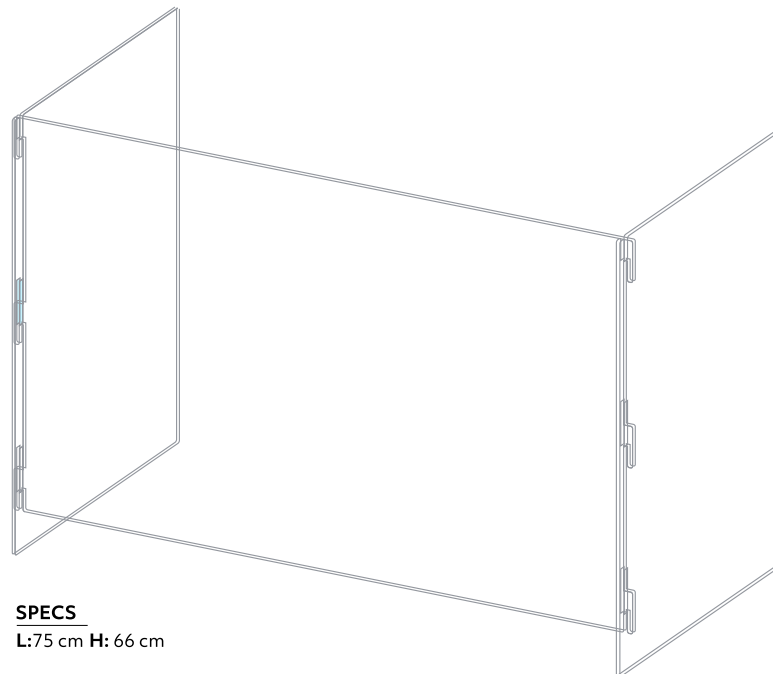
Detachable Systems

Plexiglass Models



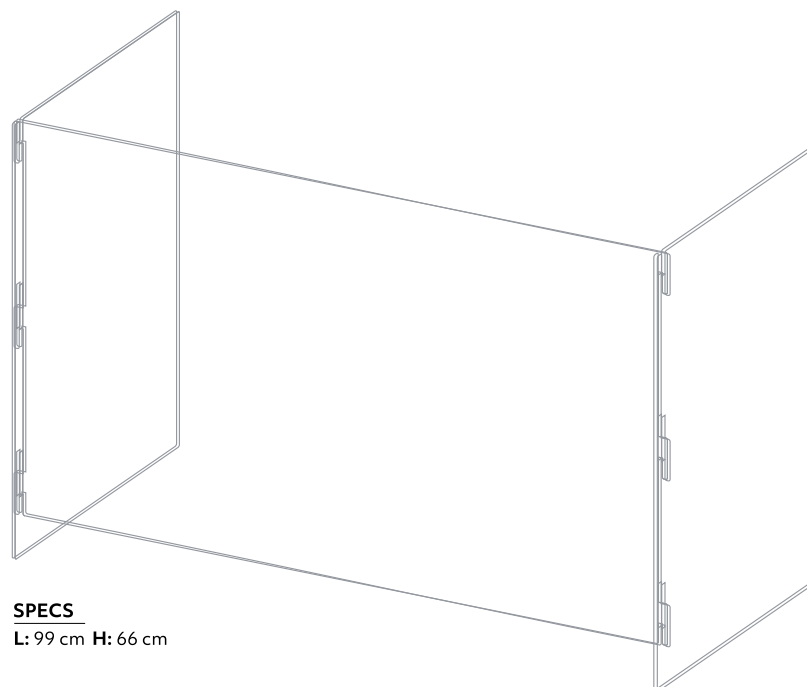
SPECS
L: 58 cm H: 66 cm

REFERENCE
AG21393



SPECS
L: 75 cm H: 66 cm

REFERENCE
AG21394



SPECS
L: 99 cm H: 66 cm

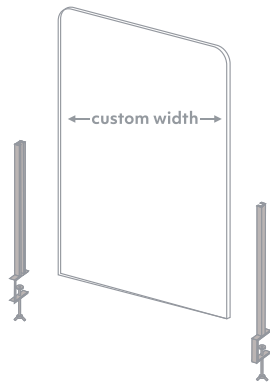
REFERENCE
AG21378

← Custom width available →

Vice Fixation Systems

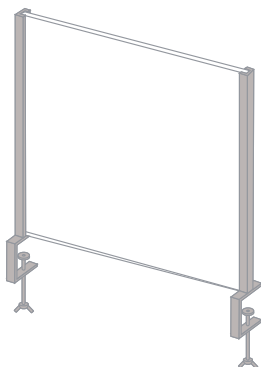
Vice Fixation Systems

Custom Width upon Request



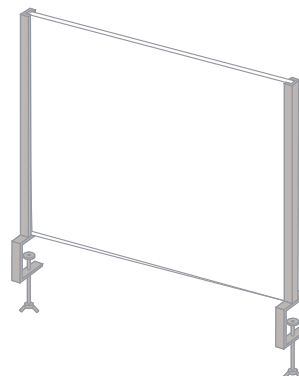
SPECS
L: 60 cm H: 60 cm

REFERENCE
AG21401



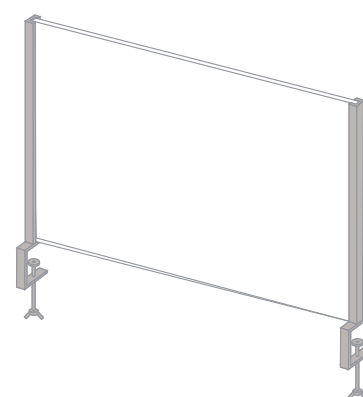
SPECS
L: 75 cm H: 60 cm

REFERENCE
AG21402



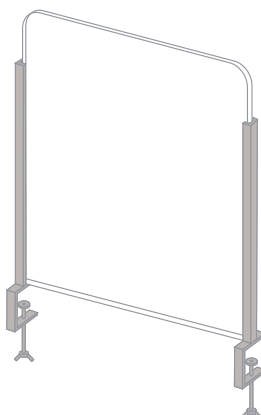
SPECS
L: 90 cm H: 60 cm

REFERENCE
AG21403



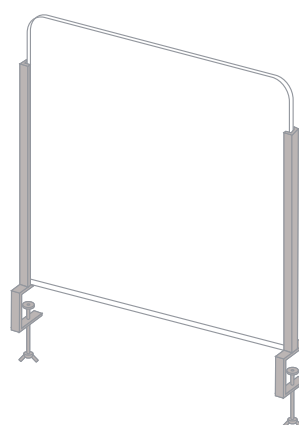
SPECS
L: 60 cm H: 75 cm

REFERENCE
AG21404



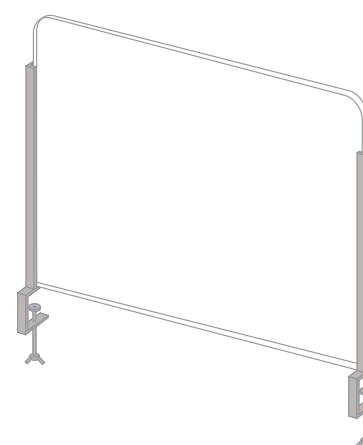
SPECS
L: 75 cm H: 75 cm

REFERENCE
AG21405



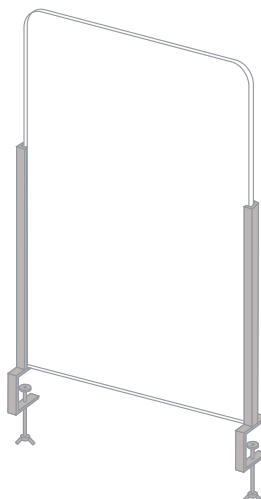
SPECS
L: 90 cm H: 75 cm

REFERENCE
AG21406



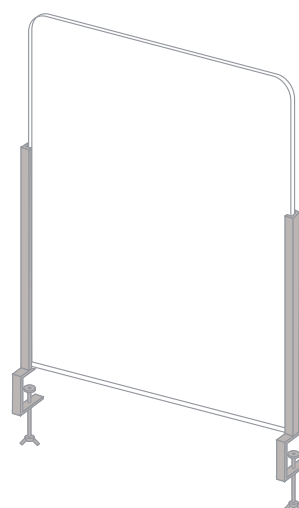
SPECS
L: 60 cm H: 100 cm

REFERENCE
AG21407



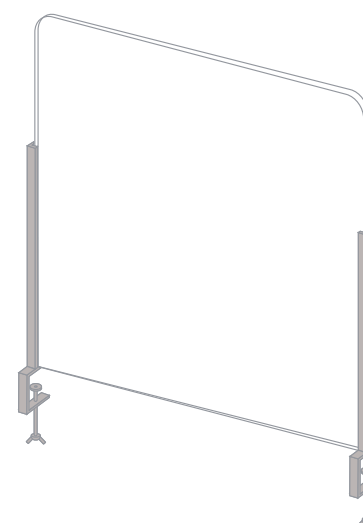
SPECS
L: 75 cm H: 100 cm

REFERENCE
AG21408



SPECS
L: 90 cm H: 100 cm

REFERENCE
AG21409





Face Shields



FACE SHIELDS

Foldable Injected Frame Models



VISOR CONTENTS

1 Visor element,
1 Foldable Injected Frame



WHITE VISOR
REFERENCE
AG21373PET-BLANC



GREY VISOR
REFERENCE
AG21373PET-GR



BLACK VISOR
REFERENCE
AG21373PET



PINK VISOR
REFERENCE
AG21373PET-ROZ



GREEN VISOR
REFERENCE
AG21373PET-VE



BLUE VISOR
REFERENCE
AG21373PET-BLU

**VERTICAL
ADJUSTABLE
VISOR**





FACE SHIELDS

PETG Models



VISOR CONTENTS

2 visor elements,
2 clamping straps,
2 buckles

REFERENCE

AG21365PET





FACE SHIELDS

PETG Models



VISOR CONTENTS

- 2 visor elements,
- 1 elastic band,
- 2 buckles, 4 male clips,
- 4 female clips

REFERENCE

AG21364PET





FACE SHIELDS

PETG Models



VISOR CONTENTS

1 visor element,
1 elastic band,
2 buckles



REFERENCE

AG21366PET





A world of plastics.

■ **S.C. PLEXIROM S.R.L.**
■ Manufacturer of acrylic products
■ Founded in 1994

Headquarters
Strada Rodnei, n66
032918 Bucuresti, Romania

Mobile: +40 758 805 906
Fix: +40 21 256 0273
Email: export@plexirom.ro

www.plexirom.com